

AB PORTE

Foldeporte • Gardinporte • Ledhejseporte • Brandporte/døre



**steel sliding gates
mcr TLB**

AB Porte

AB Porte and partners is the largest manufacturer and supplier of a comprehensive range of passive fire protection systems in the region of Central and Eastern Europe with a well-developed sales network in the countries of the region. We have achieved a leading position on the Polish, Czech and Slovak market and successfully we are developing in new markets.

AB Porte and partners offers the following range of products:

- ▶ customised fire doors and partitions (hinged doors and gates, sliding doors, glazed doors and fixed partitions, elastic curtains) and doors without fire resistance,
- ▶ natural smoke and heat exhaust systems and roof skylights,
- ▶ fire ventilation systems,
- ▶ fireproofing materials for steel and concrete building structures.



STEEL SLIDING GATE MCR TLB EI 60 / EI 120

Application: Steel sliding gates mcr TLB are used as the closure of openings in buildings where fire resistance is required. They are specifically designed for industrial buildings, logistic centers, offices, supermarkets etc.

Fire resistance: 60 minutes (EI 60) and 120 minutes (EI 120) according to EN 1634-1:2009.

Number of leaves: 1 or 2
(option: telescopic leaves positioning)

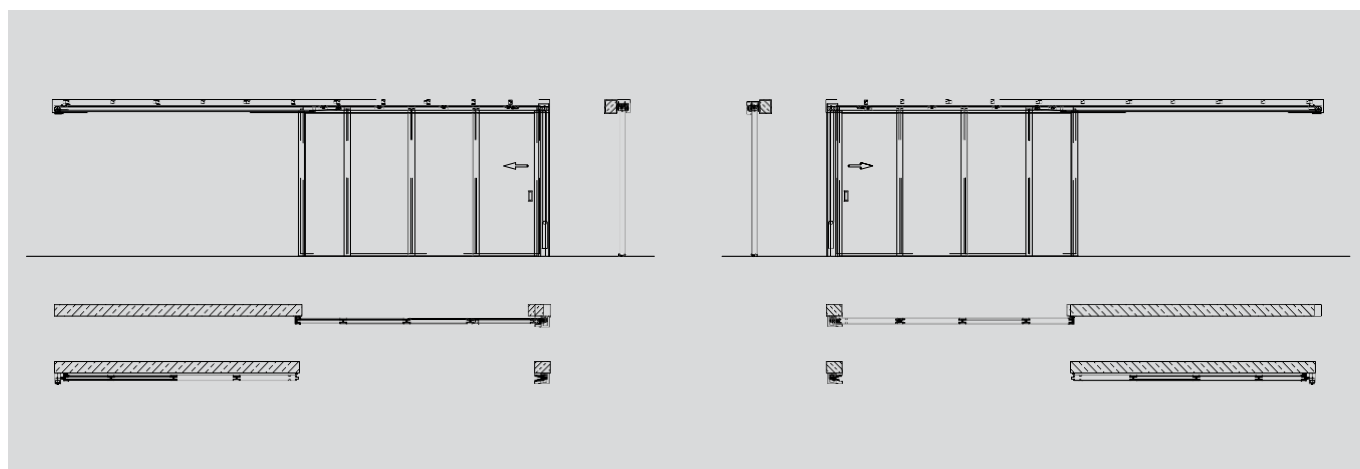
Thickness of the leaf: 90 mm

Standard finish: RAL 7035 colour

Possible finishes: coated steel (RAL colours: 5010, 9002, 9006, 9007, 9010, 9016) and powder painted steel (any colour from the RAL palette).



DOOR OPENING DIRECTIONS



a) sliding gate opening to the left

b) sliding gate opening to the right

CONSTRUCTION OF GATE

The leaf (leaves) of the gate consists of one or more segments of standard width 530 x 1100 mm. Each segment is made of two 0.8 mm galvanized steel sheets glued in with rock wool and gypsum core filling.

The edges of the segments are reinforced with steel U-shaped profiles. Total thickness of the gate leaf is 92 mm. The leaf of the gate is hang on the sliding rail.

The sliding mechanism consists of: the upper rail, counterweight and driving rolling sets. The upper rail is made of 2-4 mm unpainted, galvanized steel profile fixed to the wall with expansive anchors.

The leaf of the gate is connected to its counterweight with a steel cord.

OPERATING

Mode of operation: at release of the electric magnet the gate's leaf is pulled to closed position by the moving load of the counterweight. The counterweight is covered by rectangular steel casing.

To assure proper position of the sliding leaf in its axis, a small roller is installed in floor leaf (outside clear opening) and going inside under the sliding.

For transport and installation the leaves and other elements of gate construction are covered with plastic film in order to protect them against mechanical damages.

APPROVALS

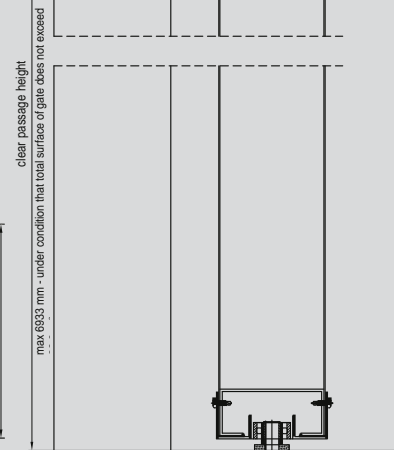
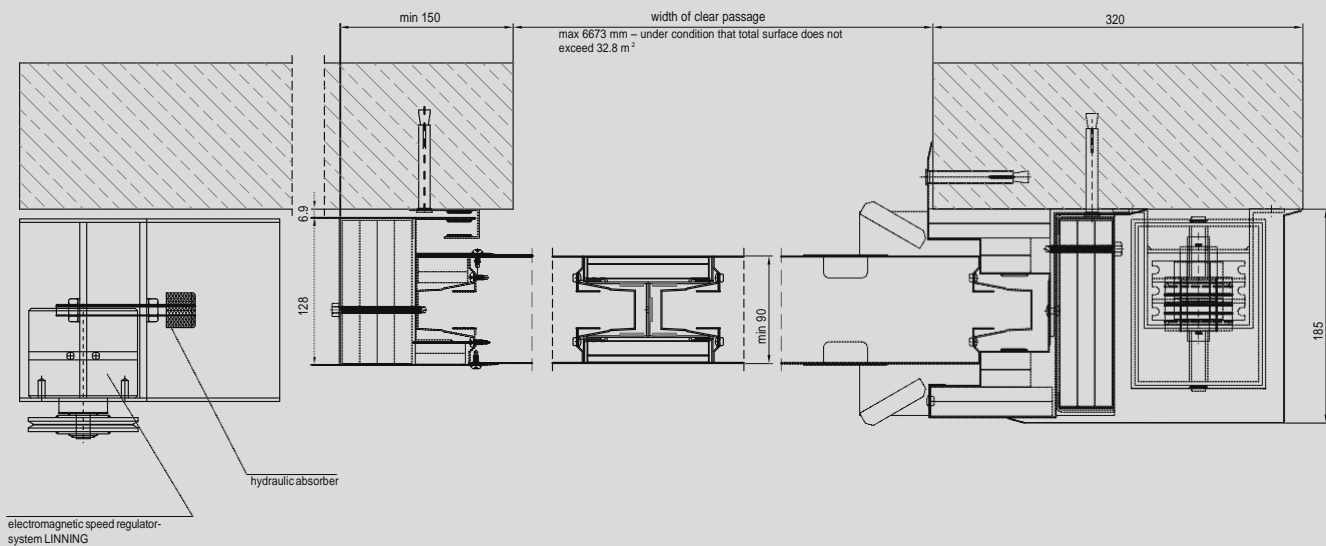
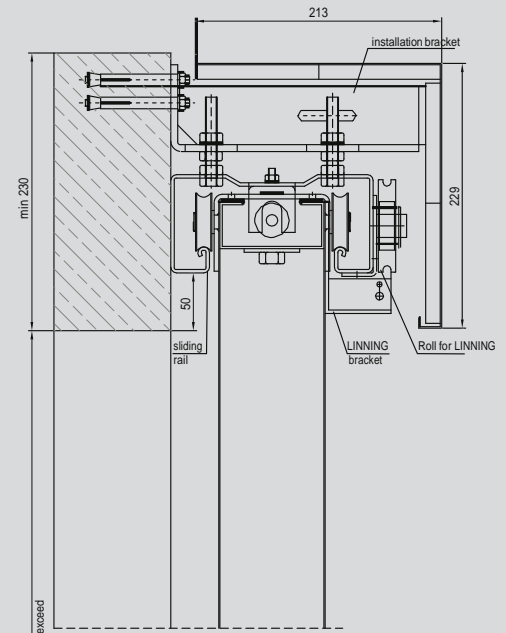
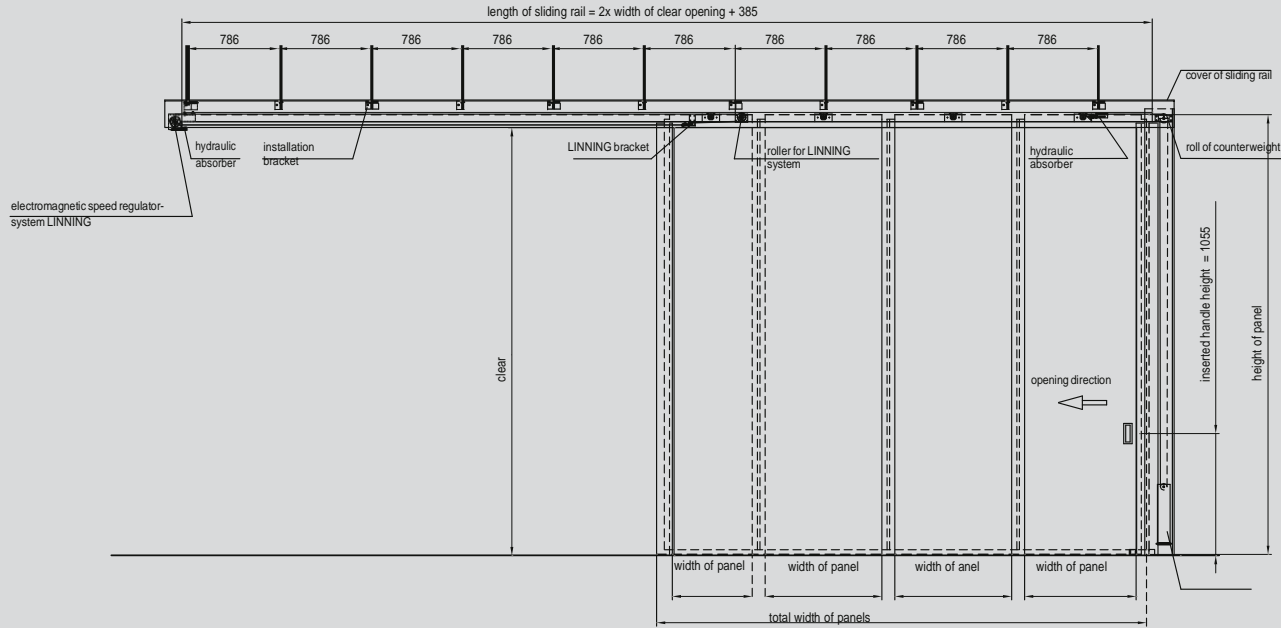
Tested for fire resistance to EN 1634-1.
Classified EI 60 and EI 120 to EN 13501-2.

DIMENSIONS

	MINIMUM	MAXIMUM
WIDTH	1500 mm	16000 mm
HEIGHT	1900 mm	4500 mm

Larger sizes by individual assessment.





STEEL SLIDING GATE MCR TLB

AB PORTE

Sleipnersvej 37
4100 Ringsted
tel.: +45 72 119 199
info@abporte.dk

www.abporte.dk



photos: Mateusz Grzanka,